

## HDSP 1GDT/70

- Designed for protection of shielding or insulated common reference wire of data, analogue or signal lines inside zones LPZ1 and higher.
- Suitable for increasing the degree of surge protection of data, analogue or signalling lines inside zones LPZ 1 and higher.

Type		HDSP 1GDT/70
Testing category according to IEC 61643-21:2000 and EN 61643-21:2001		C2, C3, B3
Number of pairs		1
Connector type		Screw terminals
Maximum continuous operating voltage DC X5-9, X7-9	$U_C$	70 V
Rated load current	$I_L$	5 A
C2 Nominal discharge current (8/20)	$I_n$	5 kA
Impulse discharge current (10/350)	$I_{imp}$	1 kA
B3 Voltage protection level X6-10, X8-10 at 100 V/ $\mu$ s	$U_p$	< 550 V
C3 Voltage protection level X6-10, X8-10 at 1 kV/ $\mu$ s	$U_p$	< 700 V
Lightning arrester arc voltage (at $I > 1$ A)	$U$	~ 10 V
Lightning arrester's glow discharge voltage	$U$	~ 60 V
Capacitance X6-8	$C$	8 pF
Lightning protection zone		LPZ 1-2, LPZ 2-3
Housing material		Polyamid PA6, UL94 V-0
Degree of protection		IP20
Operating temperature	$\theta$	-40 ÷ 70 °C
Clamp fastening range (solid conductor)		0.2 ÷ 4 mm <sup>2</sup>
Tightening moment		0,5 Nm
Installation		On DIN rail 35 mm
Operating position		Any
Remote signalling		No
Modular design		No
<b>Designed according to standards</b>		
Requirements and test methods for SPDs connected to telecommunications and signalling networks		IEC 61643-21:2000
Safety of Flammability of Plastic Materials		UL 94
<b>Application standards</b>		
Protection against lightning		IEC 62305:2010

## Ordering, packaging and additional data

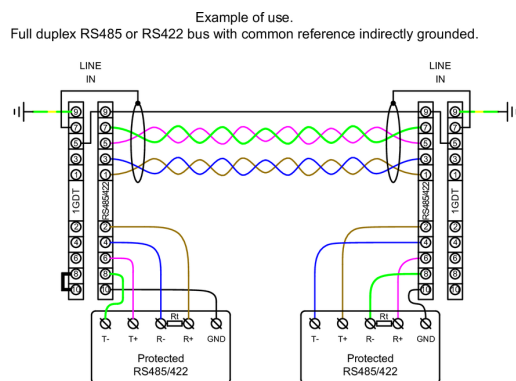
Mass	m	67 g
Mass (including the packaging)	m	84 g
Packaging dimensions (H x W x D)		52 x 108 x 83 mm
Packaging value	V	0.47 dm <sup>3</sup>
ETIM group		EG000021
ETIM class		EC000943
Customs tariff no.		85363010
EAN code		8590681185827
<b>Art. number</b>		<b>56 058</b>



The link in the QR code leads to the online presentation of the **HDSP 1GDT/70**. There, in addition to the always up-to-date data sheet, you will also find all diagrams and drawings, declarations of conformity, or 2D or 3D models and other necessary materials. For more information, visit [www.hakil.com](http://www.hakil.com)



## Application wiring diagram (installation)



## Internal diagram

