

## HLSA6,5 PV 1000/2 M S

- Lightning impulse current and surge arresters type T1+T2 intended for photovoltaic systems (PV) at U or Y connection.
- The advantage of the Y connection versus the U connection is the resistance to the earth connection of the working conductors and zero residual (leakage) current through the PE conductor.
- Particular varistor sectors, connected between the terminals L+, L- and PE are equipped with internal disconnectors, which are activated when the varistors fail (overheat) and they are able to interrupt the DC current.
- Special construction of the internal disconnector allows installation without a back-up fuse.
- They are installed on the DC side in PV applications with external LPS, where a sufficient distance "s" is not observed.
- Suitable for level LPL III or IV.
- Ensure the equipotential bonding of plus and minus busbars of PV systems and the elimination of transient overvoltage resulting from the atmospheric discharges (including direct lightning strike to the PV system) or switching processes.
- **M** indication specifies a type of construction with removable module.
- **S** indication specifies a version with remote monitoring.

Type		HLSA6,5 PV 1000/2 M S
Test class according to EN 61643-11:2012 and EN 61643-31:2019		T1, T2
System		DC
PV system type		Ungrounded
SPD connection type		U
Maximum continuous operating voltage (+/-)	$U_{CPV}$	1 000 V DC
Maximum continuous operating voltage ( $\pm/PE$ )	$U_{CPV}$	500 V DC
Max. voltage of PV generator $U_{OCSTC} \leq U_{CPV} / 1.2$	$U_{OCSTC}$	830 V
Short-circuit current rating	$I_{SCPV}$	10 kA
Impulse discharge current for class I test (10/350)	$I_{imp}$	6.5 kA
Charge	Q	3.25 As
Specific energy for class I test	W/R	10.56 kJ/ $\Omega$
Total discharge current (10/350) $\pm \rightarrow PE$	$I_{Total}$	12.5 kA
Total discharge current (8/20) $\pm \rightarrow PE$	$I_{Total}$	40 kA
Maximum discharge current (8/20)	$I_{max}$	40 kA
Nominal discharge current for class II test (8/20)	$I_n$	20 kA
Voltage protection level at $I_n$ (+/-)	$U_p$	< 3.6 kV
Voltage protection level at $I_n$ ( $\pm/PE$ )	$U_p$	< 1.8 kV
Response time (+/-)	$t_A$	< 25 ns
Response time ( $\pm/PE$ )	$t_A$	< 25 ns
Housing material		Polyamid PA6, UL94 V-0
Degree of protection		IP20
Operating temperature	$\theta$	-40 $\div$ 70 °C
Humidity range	RH	5 $\div$ 95 %
Minimum cross-section of connected Cu conductors according to IEC 61643-32:2017 (doesn't apply to „V“ connection) for T1	S	6 mm <sup>2</sup> (L+, L-) 16 mm <sup>2</sup> (PE)

Type		HLSA6,5 PV 1000/2 M S
Minimum cross-section of connected Cu conductors according to IEC 61643-32:2017 (doesn't apply to „V“ connection) for T2	S	2.5 mm <sup>2</sup> (L+, L-) 6 mm <sup>2</sup> (PE)
Clamp fastening range (solid conductor)		2.5 ÷ 35 mm <sup>2</sup>
Clamp fastening range (stranded conductor)		2.5 ÷ 25 mm <sup>2</sup>
Tightening moment		4 Nm
Installation		On DIN rail 35 mm
Modular width		2 TE
Operating position		Any
Product placement environment		Internal
SPD failure mode		OCFM
Signalling at the device		Optic
Importance of local signalling		OK – green target FAULT – red target
Remote signalling		Yes
Potential free signal contact (S) (recommended cross-section of remote monitoring max. 1 mm <sup>2</sup> )		AC: 250 V / 1.5 A, DC: 250 V / 0.1 A
Modular design		Yes
Article number of the varistor spare module		16 379
Lifetime		> 100 000 h
<b>Designed according to standards</b>		
Requirements and test methods for SPDs for photovoltaic installations		IEC 61643-31:2018
Safety of Flammability of Plastic Materials		UL 94
<b>Application standards</b>		
Protection against lightning		IEC 62305:2010
Selection and application principles for SPDs connected to photovoltaic installations		IEC 61643-32:2017
Selection and application principles for SPDs connected to photovoltaic installations		CLC/TS 51643-32:2020
Low-voltage electrical installations – Photovoltaic (PV) systems		HD 60364-7-712:2016
<b>Ordering, packaging and additional data</b>		
Mass	m	275 g
Mass (including the packaging)	m	290 g
Packaging dimensions (H x W x D)		43 x 112 x 87 mm
Packaging value	V	0.42 dm <sup>3</sup>
ETIM group		EG000021
ETIM class		EC001457
Customs tariff no.		85363010
EAN code		8590681172308
<b>Art. number</b>		<b>16 373</b>

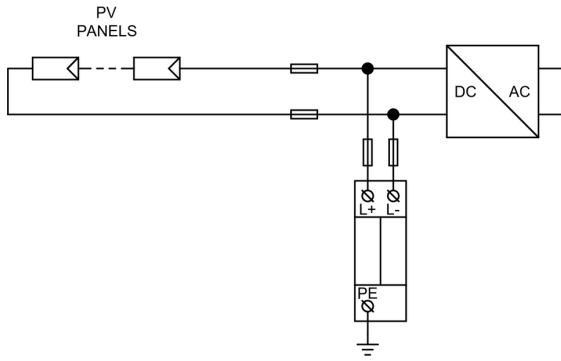


The link in the QR code leads to the online presentation of the **HLSA6,5 PV 1000/2 M S**. There, in addition to the always up-to-date data sheet, you will also find all diagrams and drawings, declarations of conformity, or 2D or 3D models and other necessary materials. For more information, visit [www.hakil.com](http://www.hakil.com)



8590681172308

Application wiring diagram (installation)



Internal diagram

