

HDSP CAN/12

- Two-stage surge protection of connected CAN bus device.
- They are installed prior to the protected equipment and at the interface of LPZs 1 – 2 and higher.
- They increase the EMC level of the connected equipment against switching and atmospheric transients.
- The connection of the module allows to use the operating range of CAN bus drivers in the range of +/- 12 V (common-mode voltage range).
- Connecting the module allows the full CAN bus speed of 1 Mb/s to be used.
- They provide cable shield protection by limiting pulse overvoltage through a built-in 90 V gas discharge tube.

Type		HDSP CAN/12
Testing category according to IEC 61643-21:2000 and EN 61643-21:2001		C2, C3, B3
Number of pairs		1
Connector type		Screw terminals
Rated operating voltage DC of data line X1-5, X3-5	U_N	0 ÷ 12 V
Maximum continuous operating voltage DC of data line X1-5, X3-5	U_C	15 V
Maximum continuous operating voltage DC X5-9, X7-9	U_C	70 V
Rated load current of data line X1-2, X3-4	I_L	0.5 A
C2 Nominal discharge current (8/20)	I_n	5 kA
C2 Voltage protection level X2-6, X4-6 at I_n	U_p	< 32 V
C2 Voltage protection level X2-4 at I_n	U_p	< 56 V
C3 Voltage protection level X2-6, X4-6 at 1 kV/μs	U_p	< 20 V
C3 Voltage protection level X2-4 at 1 kV/μs	U_p	< 40 V
B3 Voltage protection level X6-10, X8-10 at 100 V/μs	U_p	< 550 V
C3 Voltage protection level X6-10, X8-10 at 1 kV/μs	U_p	< 700 V
Serial resistance of data line X1-2, X3-4	R	1.6 Ω
Capacitance X2-4 at 0 V	C	150 pF
Limiting transmission frequency S21 for $Z_0 = 120 \Omega$	f_c	16 MHz
Lightning protection zone		LPZ 1-2, LPZ 2-3
Housing material		Polyamid PA6, UL94 V-0
Degree of protection		IP20
Operating temperature	θ	-40 ÷ 70 °C
Clamp fastening range (solid conductor)		0.2 ÷ 4 mm ²
Tightening torque		0.5 Nm
Installation		On DIN rail 35 mm
Operating position		Any
Remote signalling		No
Pluggable version		No

Designed according to standards

Requirements and test methods for SPDs connected to telecommunications and signalling networks		IEC 61643-21:2000
Safety of Flammability of Plastic Materials		UL 94

Application standards

Protection against lightning		IEC 62305:2010
------------------------------	--	----------------

Ordering, packaging and additional data

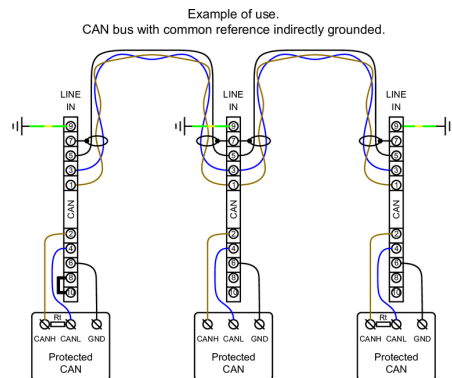
Mass	m	68 g
Mass (including the packaging)	m	72 g
Packaging dimensions (H x W x D)		260 x 130 x 100 mm
Packaging value	V	3.4 dm ³
ETIM group		EG000021
ETIM class		EC000943
Customs tariff no.		85363010
EAN code		8590681185766
Art. number		56 052



The link in the QR code leads to the online presentation of the **HDSP CAN/12**. There, in addition to the always up-to-date data sheet, you will also find all diagrams and drawings, declarations of conformity, or 2D or 3D models and other necessary materials. For more information, visit www.hakil.com



Application wiring diagram (installation)



Internal diagram

