

## HI32/15

- Ensure the energy coordination between the arresters type T1 and T2 or the arresters type T2 and T3, especially in the places where there is no adequate distance between the arresters.
- If the energy coordination of surge protection is not observed, the excessive energy of passing impulse may cause a damage to the subsequent stage of the protective cascade.
- If there is at least 15 meters distance between two successive protection stages (or 10 meters in the case of identical protective components, e.g., varistors), the separating inductor may be omitted. This applies to cases where two successive protection stages are located in separate distribution boards.
- Separating inductors shall be installed on all live conductors including the N conductor.

Type		HI32/15
Rated operating AC voltage	$U_N$	500 V
Rated load current	$I_L$	32 A
Inductance $\pm 10\%$	L	15 $\mu$ H
DC resistance	R	< 0.01 $\Omega$
Maximal back-up fuse		32 A gL/gG
Thermal class of insulation		A (105 °C)
Housing material		Polyamid PA6, UL94 V-0
Degree of protection		IP20
Operating temperature	$\vartheta$	-40 $\div$ 70 °C
Humidity range	RH	5 $\div$ 95 %
Recommended cross-section of connecting wires	S	10 mm <sup>2</sup>
Clamp fastening range (solid conductor)		2.5 $\div$ 35 mm <sup>2</sup>
Clamp fastening range (stranded conductor)		2.5 $\div$ 25 mm <sup>2</sup>
Tightening torque		3 Nm
Installation		On DIN rail 35 mm
Modular width		2 TE
Operating position		Any
Product placement environment		Internal
Remote signalling		No
Pluggable version		No

### Designed according to standards

Requirements and test methods for SPDs connected to low-voltage power systems	IEC 61643-11:2011
Safety of Flammability of Plastic Materials	UL 94

### Application standards

Protection against lightning	IEC 62305:2010
Selection and application principles for SPDs connected to low-voltage power systems	CLC/TS 61643-12:2009

## Ordering, packaging and additional data

Mass	m	330 g
Mass (including the packaging)	m	344 g
Packaging dimensions (H x W x D)		45 x 102 x 74 mm
Packaging value	V	0.34 dm <sup>3</sup>
ETIM group		EG000021
ETIM class		EC000613
Customs tariff no.		85363030
EAN code		8590681117125
<b>Art. number</b>		<b>30 403</b>



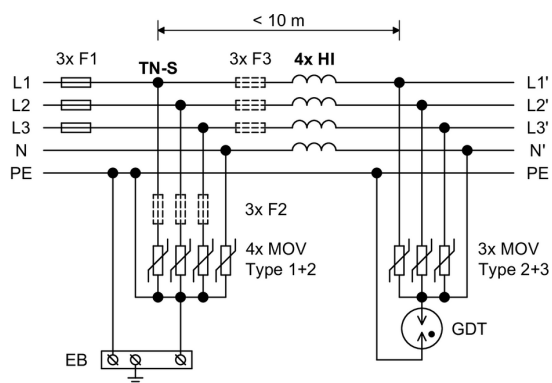
The link in the QR code leads to the online presentation of the HI32/15.

There, in addition to the always up-to-date data sheet, you will also find all diagrams and drawings, declarations of conformity, or 2D or 3D models and other necessary materials. For more information, visit [www.hakil.com](http://www.hakil.com)



8590681117125

## Application wiring diagram (installation)



## Internal diagram

